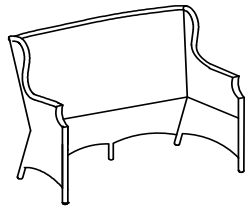


SKANDEN

Item number :552713

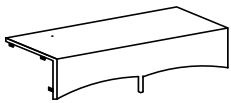
Hvaler Lounge Set

①

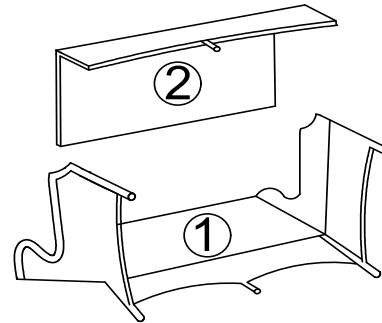


1

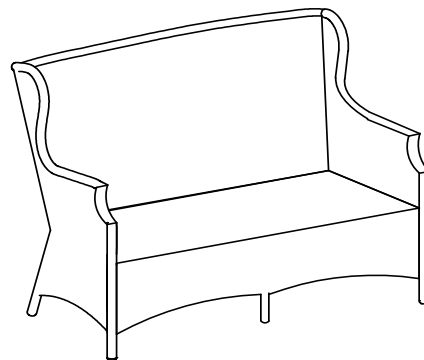
②



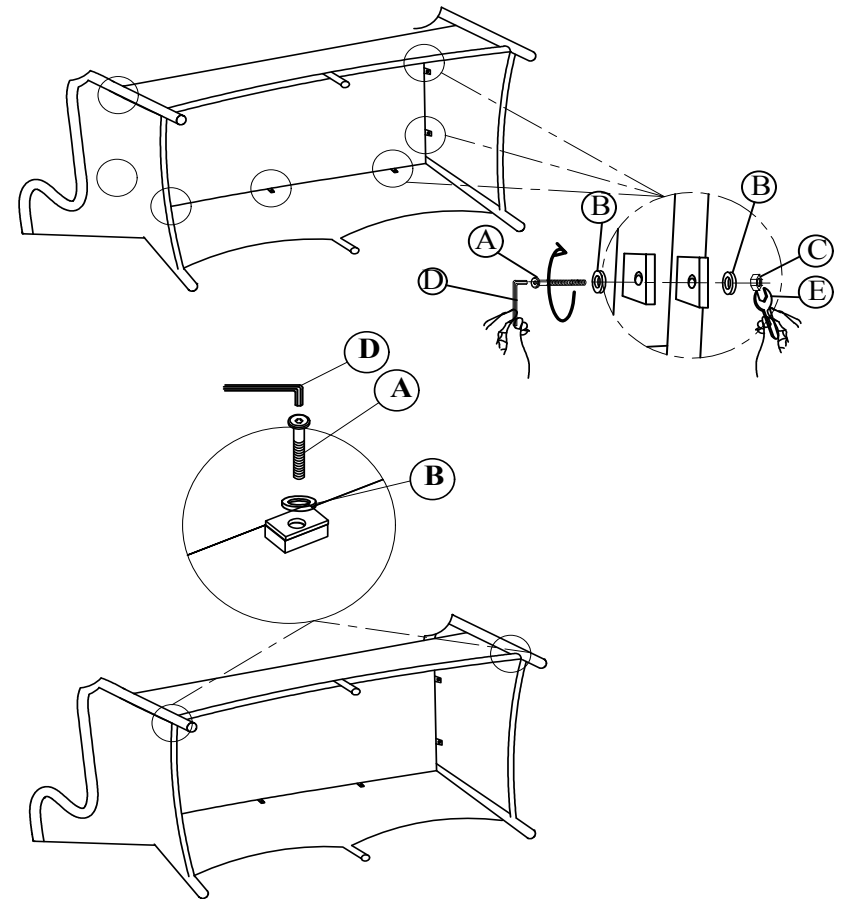
STEP 1



STEP 3



STEP 2



Ⓐ M6x30(mm) :9 pcs



Ⓑ 16 pcs



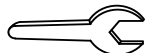
Ⓒ 7 pcs



Ⓓ 1pc



Ⓔ 1pc

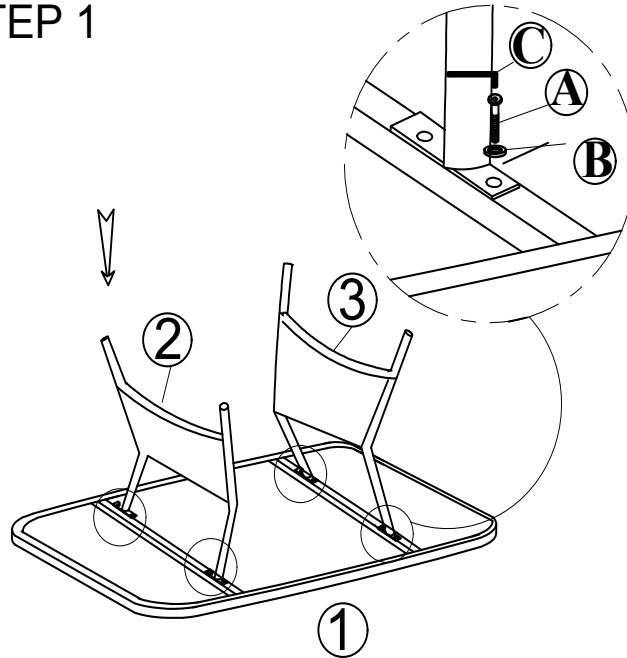


SKANDEN

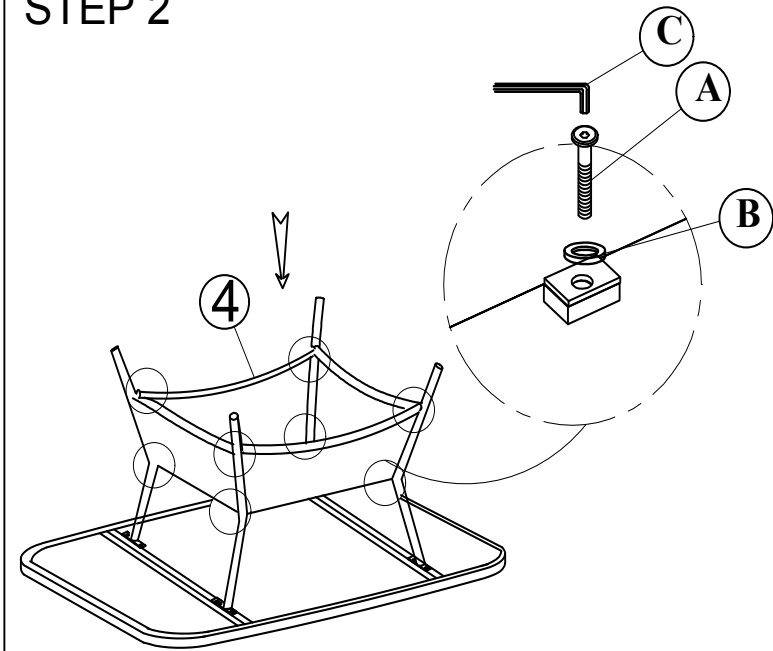
Item number :552713
Hvaler Lounge Set



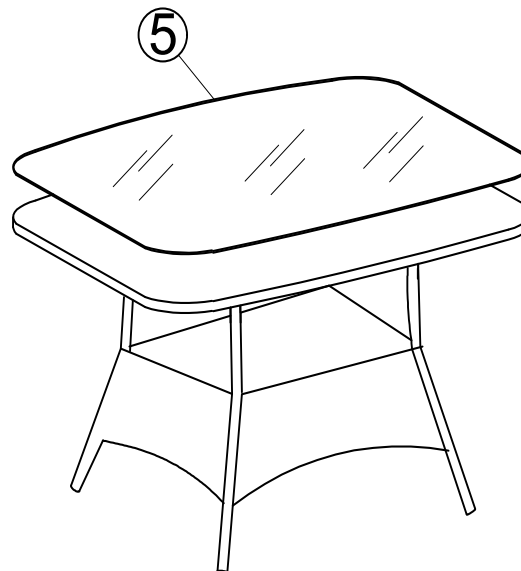
STEP 1



STEP 2



STEP 3



STEP 4



A M6x25(mm) 16 pcs



B Ø16x1.2 (mm) 16 pcs



C 1pc

SKANDEN

Item number :552713

Hvaler Lounge Set

Steel/aluminium:

Daily exposure to intense ultraviolet radiation from sunlight will deteriorate the metal finish over time.

Use a furniture cover of good quality to extend the life of your furniture.

During winter time, the best is to store in a dry and well-ventilated place.

Wash your furniture with a mix of mild soap and water, rinse off and dry thoroughly.

Apply a fine, clear automobile wax for maximum protection against harmful ultraviolet exposure and salty air.

Do not use corrosive chemicals when cleaning

Plastic rattan:

Daily exposure to intense ultraviolet radiation from sunlight will deteriorate the rattan material over time.

Use a furniture cover of good quality to extend the life of your furniture.

During winter time, the best is to store in a dry and well-ventilated place.

Wash your furniture with a mix of mild soap and water, rinse off and let it dry thoroughly.

Polyester fabric:

Daily exposure to intense ultraviolet radiation from sunlight fade cushions over time.

Use a furniture cover of good quality to extend the life of your cushions.

When heavy rain, the best way is to place in a waterproof cushion box or indoors in a dry, cool place with good ventilation.

Wash outdoor cushions with a mix of mild soap and water and rinse thoroughly. Stand them on end and allow to air dry completely before usage.

Light stains can be removed as above. For more heavy stains, remove cushion covers and treat with a commercial quality outdoor fabric cleaner.

Do not dry clean or use a washing machine or dryer.

Do not steam or use water at temperatures above 30C when washing.

Do not use bleach.

Do not use solvents.

Do not use chlorine-based cleaners.