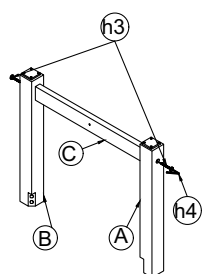


### ASSEMBLY INSTRUCTION

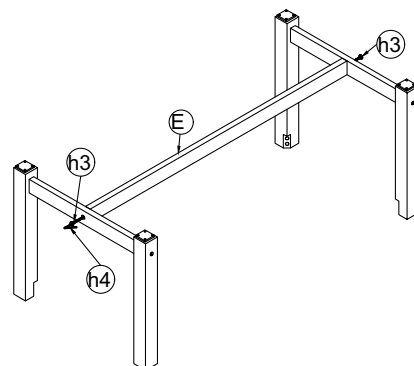
<p>A= 2 pcs B= 2 pcs</p>	<p>C= 2 pcs</p>	<p>D= 1 pc</p>	<p>E= 1 pc</p>	<p>h1 Bolt M6x45 mm = 8 pcs</p>	<p>h2 Washer 1xØ6xØ16 mm = 8 pcs</p>	<p>h3 Screws M6x55 mm =6 pcs</p>	<p>h4 Allen key 4 =1 pc</p>
--------------------------	-----------------	----------------	----------------	---	--	--	-------------------------------------

**Step 1:**

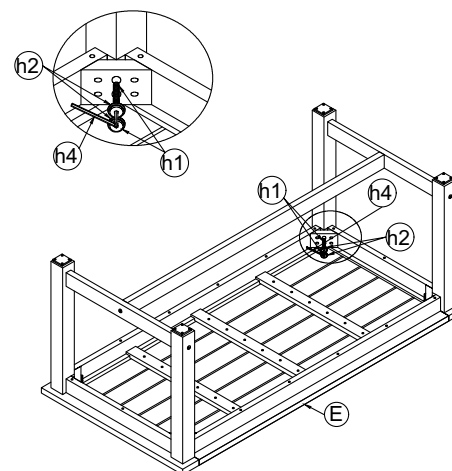


Step1= 2 pcs

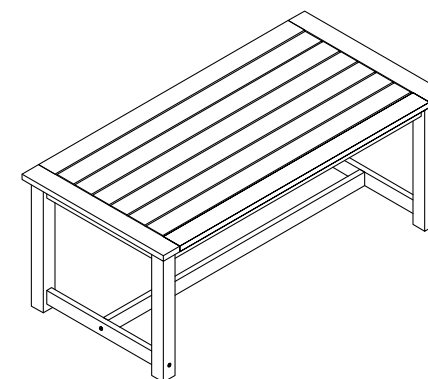
**Step 2:**



**Step 3:**



**Step 4:**

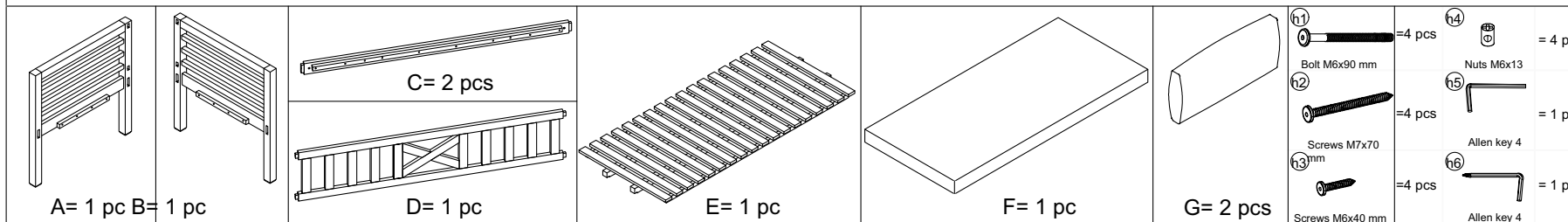


Finished

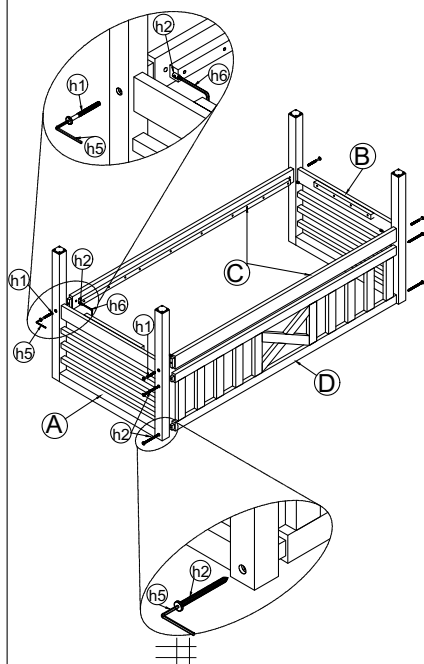


Item number: 552466  
Kinsley Lounge Set

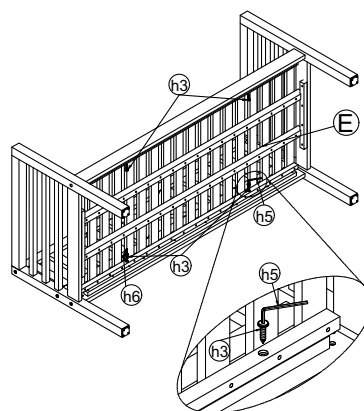
### ASSEMBLY INSTRUCTION



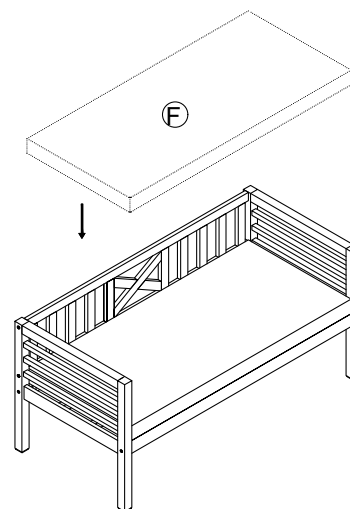
**Step 1:**



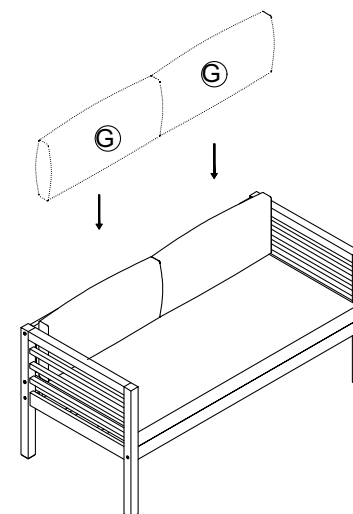
**Step 2:**



**Step 3:**



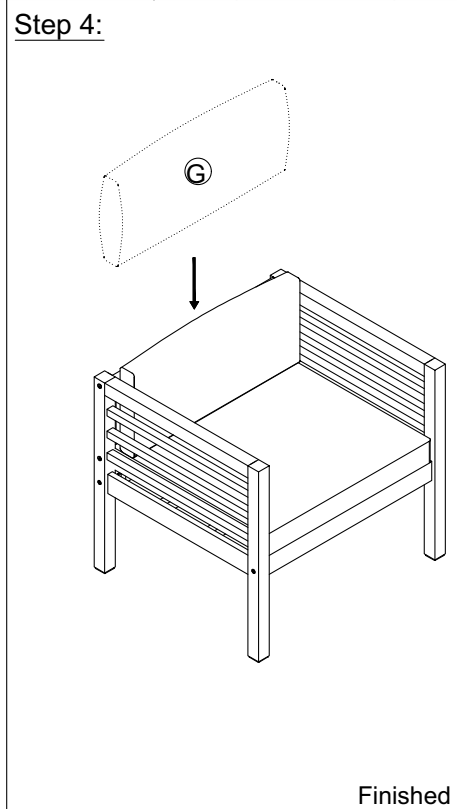
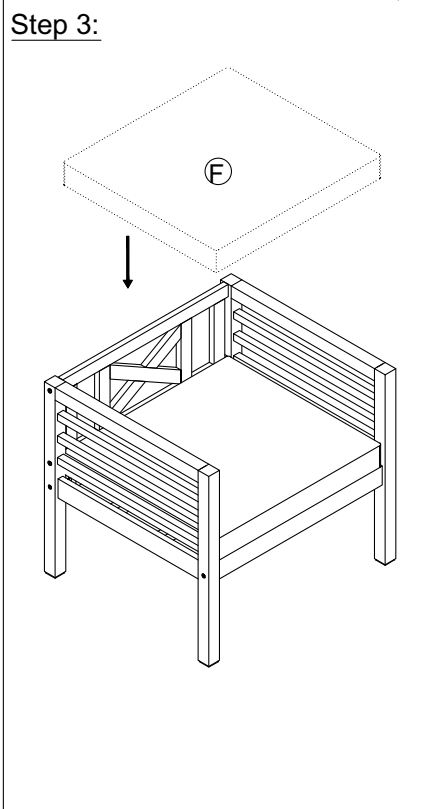
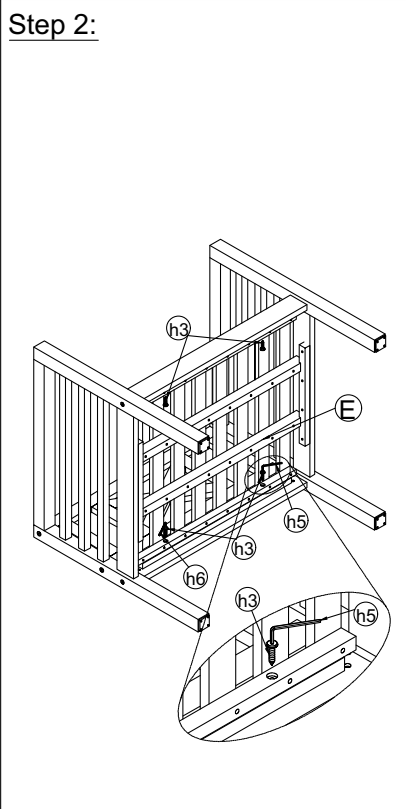
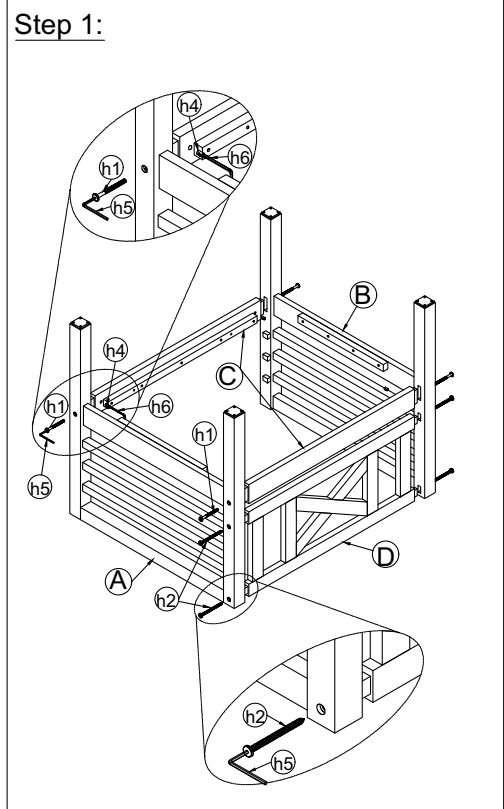
**Step 4:**



Finished

### ASSEMBLY INSTRUCTION

<p>A = 2 pcs</p>	<p>B = 2 pcs</p>	<p>C = 4 pcs</p>	<p>D = 2 pcs</p>	<p>E = 2 pcs</p>	<p>F = 2 pcs</p>	<p>G = 2 pcs</p>	<table border="0"> <tr> <td> <p>h1 Bolt M6x90 mm = 8 pcs</p> </td> <td> <p>h4 Nuts M6x13 = 8 pc</p> </td> </tr> <tr> <td> <p>h2 Screws M7x70 mm = 8 pcs</p> </td> <td> <p>h5 Allen key 4 = 1 pc</p> </td> </tr> <tr> <td> <p>h3 Screws M6x40 mm = 8 pcs</p> </td> <td> <p>h6 Allen key 4 = 1 pc</p> </td> </tr> </table>	<p>h1 Bolt M6x90 mm = 8 pcs</p>	<p>h4 Nuts M6x13 = 8 pc</p>	<p>h2 Screws M7x70 mm = 8 pcs</p>	<p>h5 Allen key 4 = 1 pc</p>	<p>h3 Screws M6x40 mm = 8 pcs</p>	<p>h6 Allen key 4 = 1 pc</p>
<p>h1 Bolt M6x90 mm = 8 pcs</p>	<p>h4 Nuts M6x13 = 8 pc</p>												
<p>h2 Screws M7x70 mm = 8 pcs</p>	<p>h5 Allen key 4 = 1 pc</p>												
<p>h3 Screws M6x40 mm = 8 pcs</p>	<p>h6 Allen key 4 = 1 pc</p>												



Item number: 552466  
Kinsley Lounge Set



**Material:** acacia and polyester fabric.

Daily exposure to intense ultraviolet radiation from sunlight will deteriorate the wood material over time.

Use a furniture cover of good quality to extend the life of your furniture.

During winter time, the best is to store in a dry and well-ventilated place.

Clean with damp, soft cloth and soap that does not contain detergents.

Daily exposure to intense ultraviolet radiation from sunlight fade cushions over time.

Use a furniture cover of good quality to extend the life of your cushions.

When heavy rain, the best way is to place in a waterproof cushion box or indoors in a dry, cool place with good ventilation.

When heavy rain, the best way is to place in a waterproof cushion box or indoors in a dry, cool place with good ventilation.

Light stains can be removed as above. For more heavy stains, remove cushion covers and treat with a commercial quality outdoor fabric cleaner.

Do not dry clean or use a washing machine or dryer.

Do not steam or use water at temperatures above 30C when washing.

Do not use bleach.

Do not use solvents.

Do not use chlorine-based cleaners.