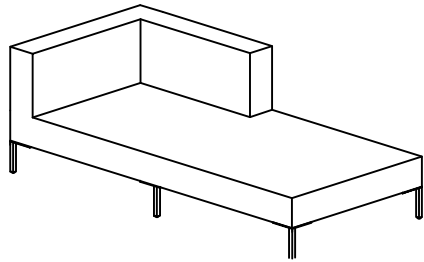







DESCRIPTION



Sofa Left

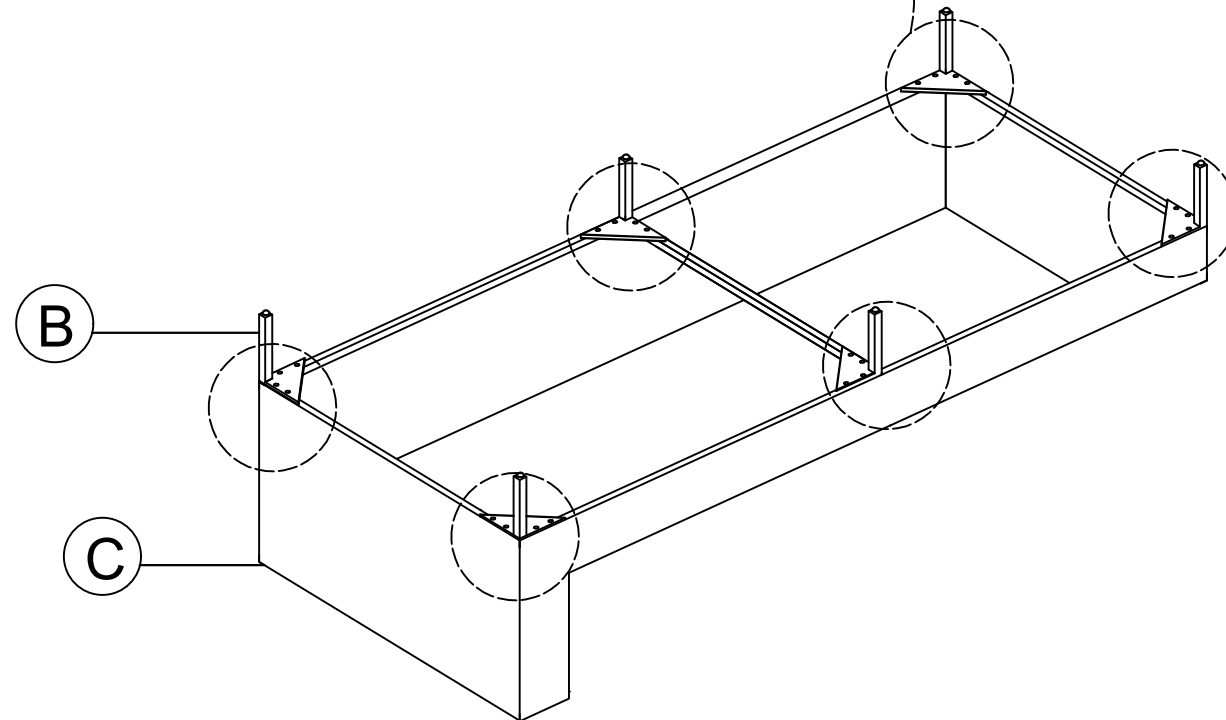
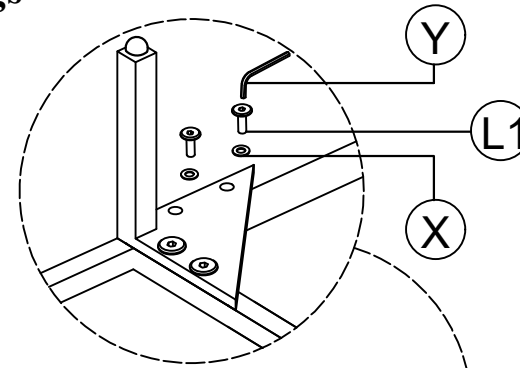
HARDWARE

No.	Item	Detail	Quantity
1	X		x24
2	Y		x1
3	L1	 M6x20mm	x24
4	C		x1
5	B		x6

PLANTAGEN®

Holmen Lounge set

Step 1: Assembly the legs

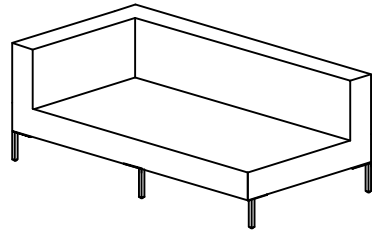


IMPORTANT NOTE:

Do not tighten screws/bolts, until all completely assembled.






Thank you.

DESCRIPTION



Sofa Right

HARDWARE

No.	Item	Detail	Quantity
1	X		x24
2	Y		x1
3	L1	 M6x20mm	x24
4	A		x1
5	B		x6

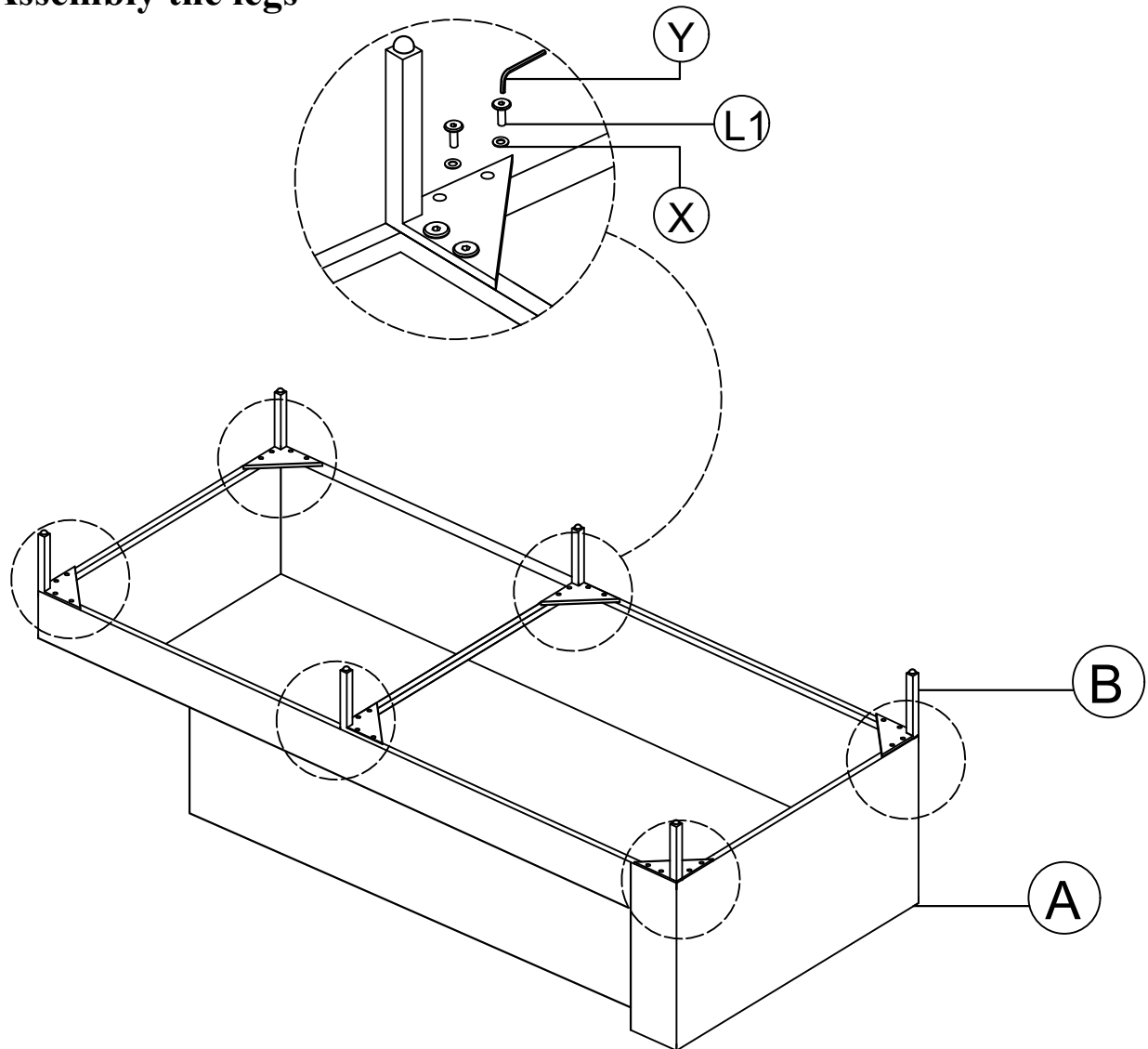
IMPORTANT NOTE:

Do not tighten screws/bolts, until all completely assembled.
Thank you.

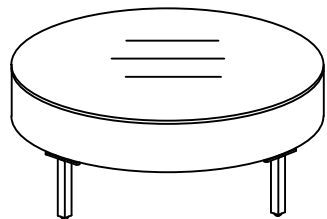
PLANTAGEN

Holmen Lounge set

Step 1: Assembly the legs



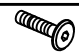





DESCRIPTION



Table

HARDWARE

No.	Item	Detail	Quantity
1	X		x12
2	Y		x1
3	L1	 M6x20mm	x12
4	D		x1
5	E		x4
6	G		x1

IMPORTANT NOTE:

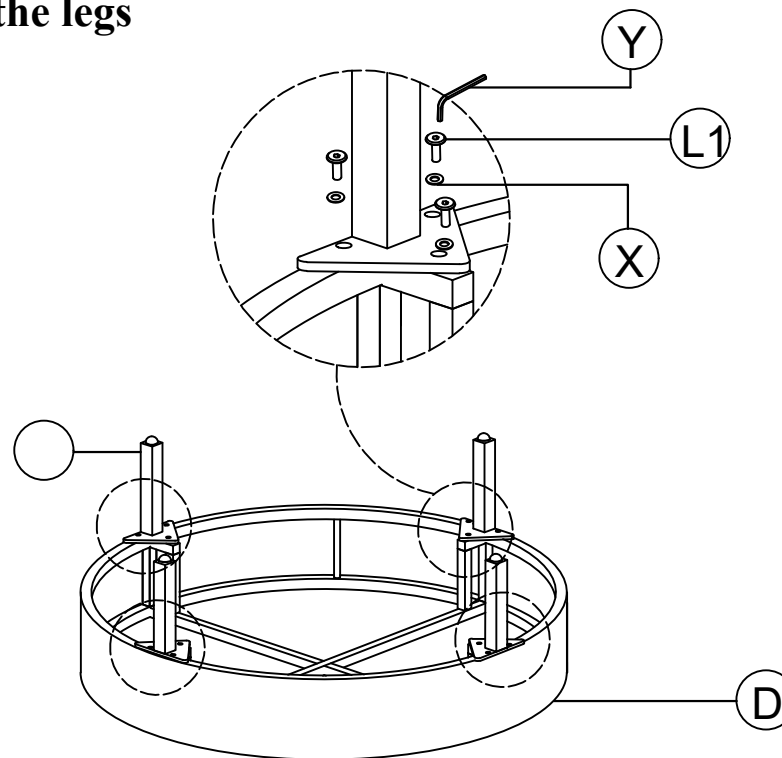
Do not tighten screws/bolts, until all completely assembled.

Thank you.

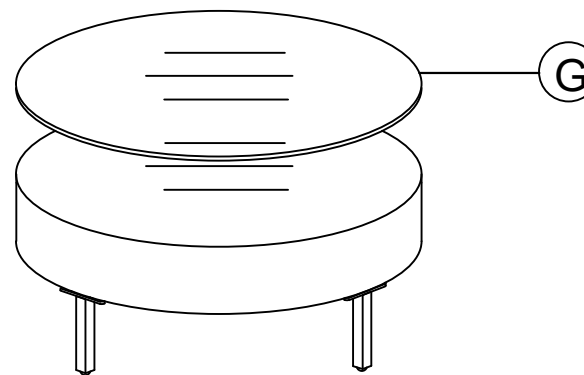
PLANTAGEN®

Holmen Lounge set

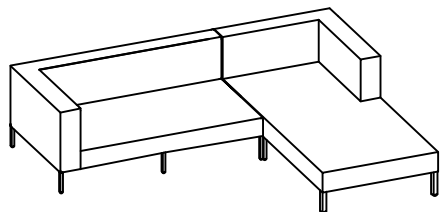
Step 1: Assembly the legs



Step 2: Putting glass



DESCRIPTION



Whole set

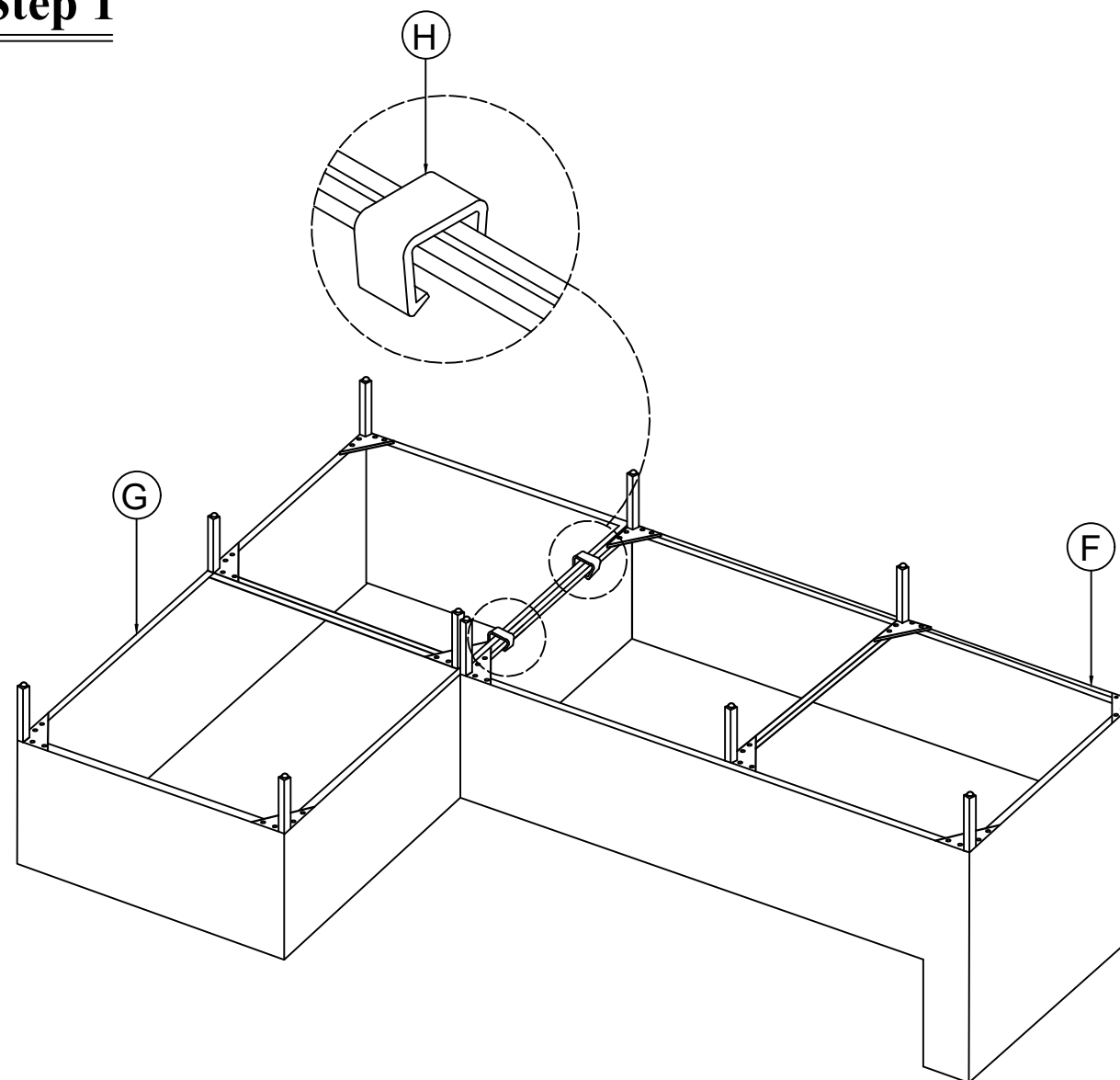
HARDWARE

No.	Item	Detail	Quantity
1	F		x1
2	G		x1
3	H		x2

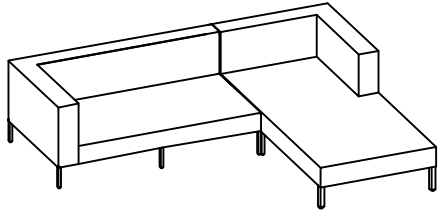
PLANTAGEN®

Holmen Lounge set

Step 1

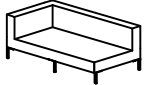
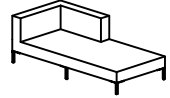
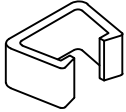


DESCRIPTION



Whole set

HARDWARE

No.	Item	Detail	Quantity
1	F		x1
2	G		x1
3	H		x2

Step 1

